

# LED Display

*Part No. 08FY5013BD*[Back to LED Display Main Page](#)**LED NUMERIC DISPLAY**

FYS-8013ABXX-XX

**■ Features:**

- 20.32mm (0.8") Single digit numeric display series
- Standard brightness
- Low current operation.
- Excellent character appearance.
- Easy mounting on P.C.boards or sockets.
- I.C.compatible.

**■ Part No.:**

Common Anode	Iv TYP.(mcd)
FYS-8013BH-XX	8.5

**■ Description:**

- Color Code & Chip characteristics: (Test Condition: IF=30mA)

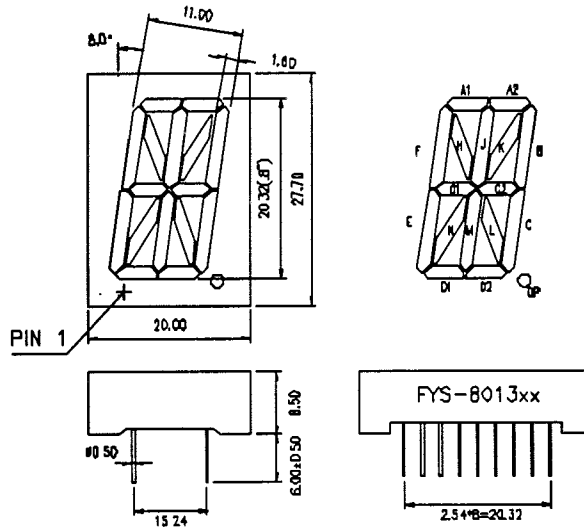
Emitting Color	Dice Material	Peak Wave Length ( $\lambda_p$ )	Spectral Line halfwidth( $\Delta \lambda_{1/2}$ )	Forward Voltage(VF) Unit:V		Luminous Intensity (Iv) Unit:ucd
				Typ	Max	
H   Red	GaP/GaP	700nm	90nm	2.25	2.60	500

- -XX: Surface / Lens color:

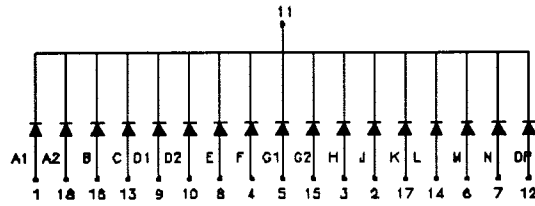
Number	0	1	3	3	4	5
Ref Surface Color	White	Black	Gray	Red	Green	
Epoxy Color	Water clear	White diffused	Red Diffused	Green Diffused	Yellow Diffused	

**Package configuration & Internal circuit diagram:**

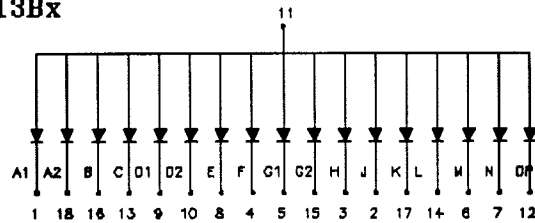
**FYS-8013 series**



**FYS-8013Ax**



**FYS-8013Bx**



**Notes:**

- All dimensions are in millimeters (inches)
- Tolerance is  $\pm 0.35(0.01)$  unless otherwise noted.
- Specifications are subject to change without notice.

**Electrical-optical characteristics: (Ta=35°C)**

Parameter	Symbol	GaP(Red)	AlGaAs	GaAsP	GaP(Green)	Unit
Power Dissipation	$P_{ad}$	40	60	80	80	mW
Peak Forward Current *	$I_{pf}$	50	150	150	150	mA
Continuous Forward Current	$I_{af}$	15	35	30	30	mA

Notes:

\* Test Condition = Duty 0.1, 10KHZ

**■ Absolute maximum ratings (Ta=35°C)**

Reverse Voltage	5V
Reverse Current	30 $\mu$ A
Operating Temperature Range	-40 °C to +85 °C
Storage Temperature Range	-40 °C to +85 °C
Lead Solder Temperature (1.6mm(1/16") from body) 330 °C for 5 Seconds	