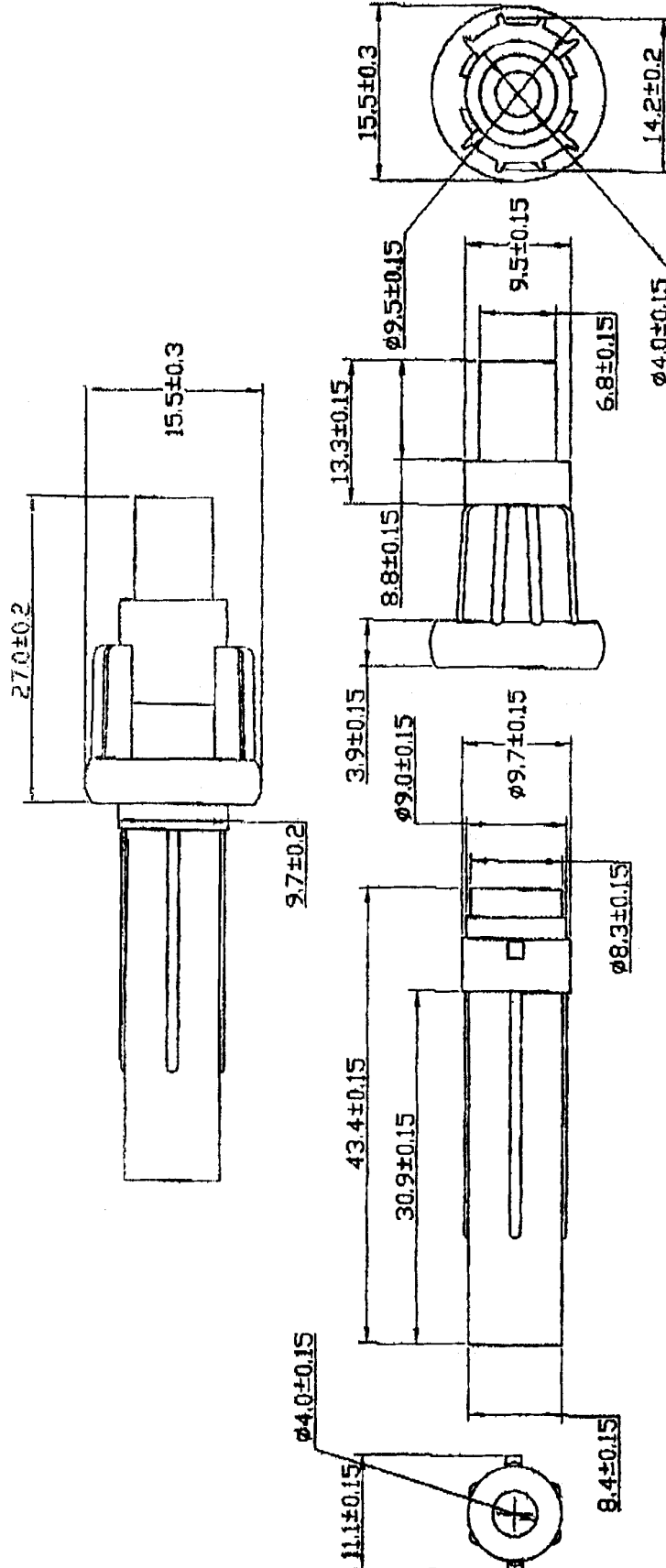


Back to [In-Line Fuse Holder](#) Main Page

# In-Line Fuse Holder (For 1<sup>1</sup>/<sub>4</sub> Fuses)

Part No. 2001LINL



**IN-LINE FUSEHOLDER BAYONET TYPE**  
(For 1-1/4" x 1/4" Fuse)  
**SPECIFICATIONS:**  
Applicable: For Fuse Type AGC, SFE, JSO and MFA  
Insulating Body: PE, NL, PP  
Contacts: Brass