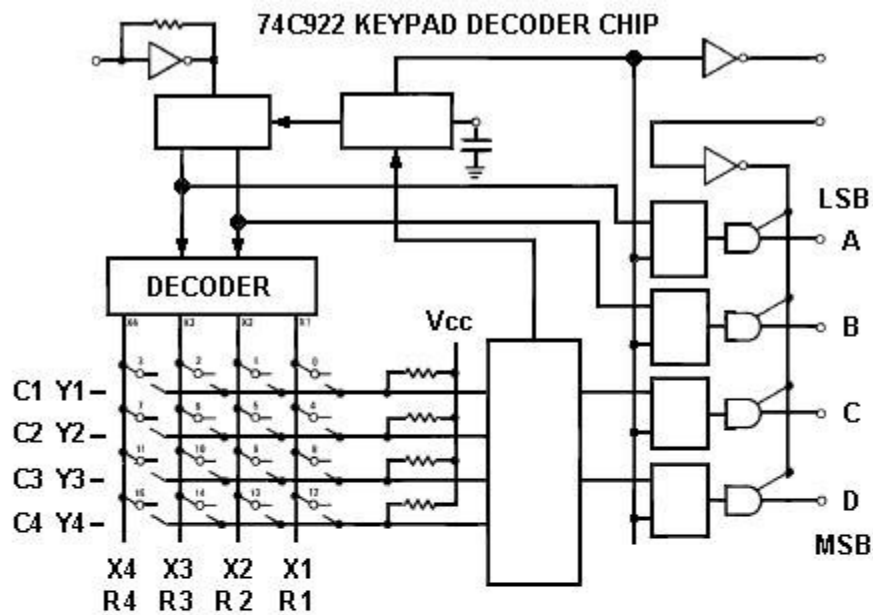


# Interfacing the 17KP1604 4x4 Keypad To a 74C922 Decoder Chip



17KP1604 KEY → BINARY OUTPUT

	A	B	C	D		A	B	C	D		
'1'	→	0	0	0	0	'7'	→	1	0	0	0
'2'	→	0	0	0	1	'8'	→	1	0	0	1
'3'	→	0	0	1	0	'9'	→	1	0	1	0
'A'	→	0	0	1	1	'C'	→	1	0	1	1
'4'	→	0	1	0	0	'0'	→	1	1	0	0
'5'	→	0	1	0	1	'F'	→	1	1	0	1
'6'	→	0	1	1	0	'E'	→	1	1	1	0
'B'	→	0	1	1	1	'D'	→	1	1	1	1