

Part No. 08IFE97

*Plastic Fiber Optic Super-Bright LED*

**IF-E97**



**DESCRIPTION**

The IF-E97 is a high-optical-output, visible red LED housed in a “connector-less” style plastic fiber optic package. The output spectrum is produced by a GaAlAs die which peaks at 660 nm, one of the optimal transmission windows of PMMA plastic optical fiber. The device package features an internal micro-lens and a precision-molded PBT housing to ensure efficient optical coupling with standard 1000 µm core plastic fiber cable.

**APPLICATION HIGHLIGHTS**

The high output and excellent linearity of the IF-E97 make it suitable for analog and digital data links. The IF-E97 can achieve data rates of 1 Mbps when used with an IF-D96 photologic detector. The visible red light has low attenuation in PMMA plastic fiber and aids in troubleshooting installations. The drive circuit design is simpler than required for laser diodes, making the IF-E97 the lowest cost selection for a variety of analog and digital applications requiring maximum operating distance.

**APPLICATIONS**

- ▶ Low Cost Analog and Digital Data Links
- ▶ Automotive Electronics
- ▶ Digitized Audio
- ▶ Medical Instruments
- ▶ PC-to-Peripheral Data Links
- ▶ Robotics Communications
- ▶ Motor Controller Triggering
- ▶ EMC/EMI Signal Isolation
- ▶ Local Area Networks
- ▶ Intra-System Links: Board-to-Board, Rack-to-Rack

**FEATURES**

- ◆ High Optical Power
- ◆ Visible Red Output Aids Troubleshooting
- ◆ Low Transmission Loss with PMMA Plastic Fiber
- ◆ No Optical Design required
- ◆ Mates with standard 1000 µm Core Jacketed Plastic Fiber Cable
- ◆ Internal Micro-Lens for Efficient Optical Coupling
- ◆ Inexpensive Plastic Connector Housing
- ◆ Connector-Less Fiber Termination
- ◆ Light-Tight Housing Provides Interference-Free Transmission

**MAXIMUM RATINGS**

(T<sub>A</sub> = 25°C)

Operating and Storage Temperature Range (T <sub>OP</sub> , T <sub>STG</sub> )	.....-40° to 85°C
Junction Temperature (T <sub>J</sub> )	.....85°C
Soldering Temperature (2 mm from case bottom) (T <sub>S</sub> ) t ≤ 5 s	.....240°C
Reverse Voltage (V <sub>R</sub> )	.....5 V
Power Dissipation (P <sub>TOT</sub> ) T <sub>A</sub> = 25°C	.....100 mW
De-rate Above 25°C	.....1.33 mW/°C
Forward Current, DC (I <sub>F</sub> )	.....40 mA
Surge Current (I <sub>FSM</sub> ) t ≤ 10 µsec	.....200 mA

**CHARACTERISTICS (T<sub>A</sub> = 25°C)**

Parameter	Symbol	Min.	Typ.	Max.	Unit
Peak Wavelength	λ <sub>PEAK</sub>	650	660	670	nm
Spectral Bandwidth (50% of I <sub>MAX</sub> )	Δλ	-	40	-	nm
Output Power Coupled into Plastic Fiber (1 mm core diameter). Distance Lens to Fiber ≤ 0.1 mm, 1 m polished fiber, I <sub>F</sub> = 20 mA	Φ <sub>min</sub>	250 -6	325 -4.9	425 -4	µW dBm
Switching Times (10% to 90% and 90% to 10%) (I <sub>F</sub> = 20 mA)	t <sub>r</sub> , t <sub>f</sub>	-	.5	-	µs
Capacitance (F = 1 MHz)	C <sub>0</sub>	-	30	-	pF
Forward Voltage (I <sub>F</sub> = 20 mA)	V <sub>f</sub>	1.7	1.9	2.1	V

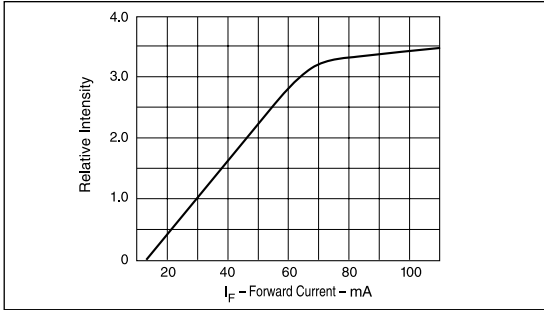


FIGURE 1. Normalized power launched versus forward current.

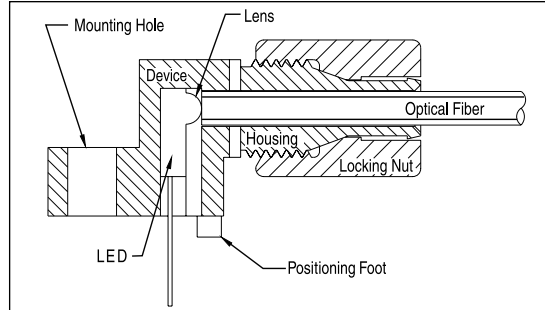


FIGURE 3. Cross-section of fiber optic device.

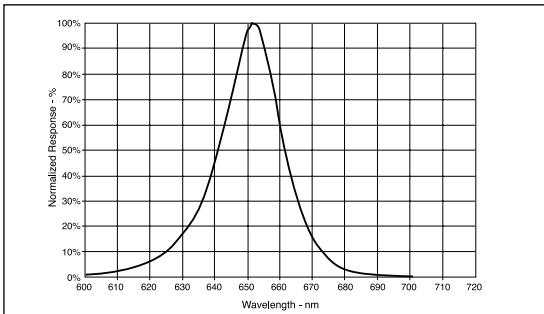


FIGURE 2. Typical spectral output versus wavelength.

**FIBER TERMINATION INSTRUCTIONS**

1. Cut off the ends of the optical fiber with a single-edge razor blade or sharp knife. Try to obtain a precise 90-degree angle (square).
2. Insert the fiber through the locking nut and into the connector until the core tip seats against the internal micro-lens.
3. Screw the connector locking nut down to a snug fit, locking the fiber in place.

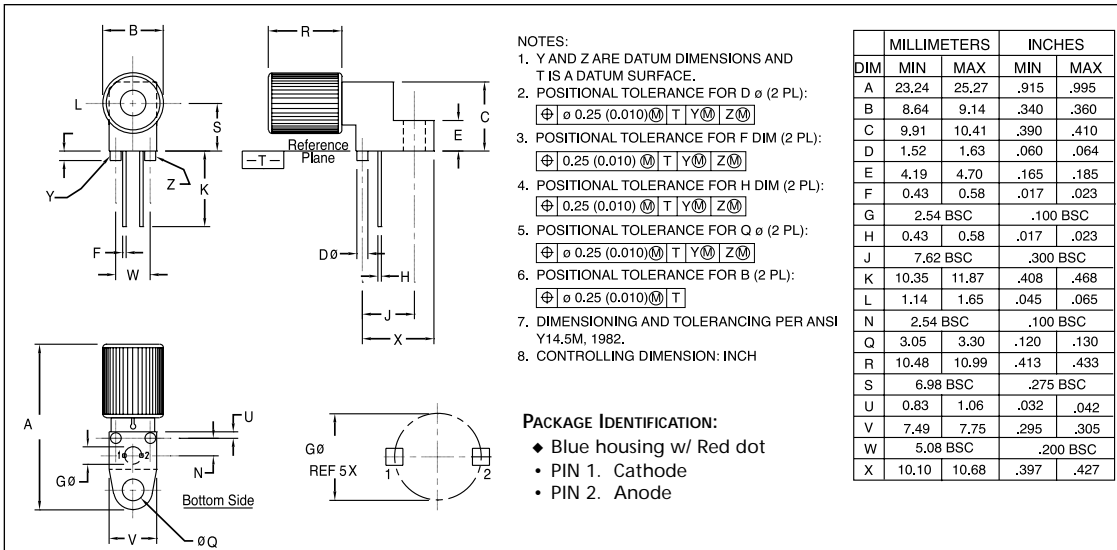


FIGURE 4. Case outline.